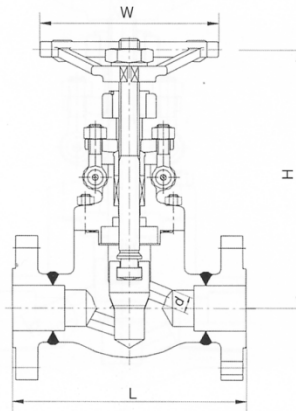
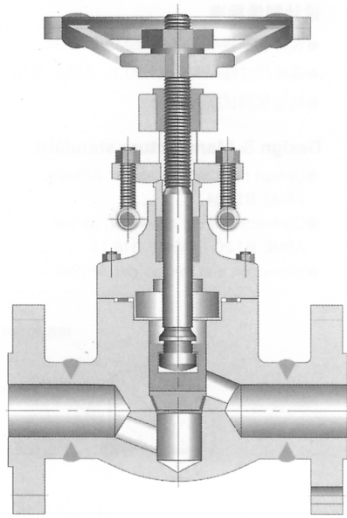


FORGE STEEL FLANGE & SW ENDS API 602 GLOBE VALVES

DIMENSIONS AND WEIGHTS (mm)

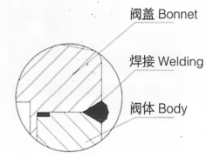
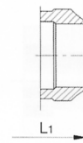


设计制造标准

- 设计制造按API602、BS5352、ASME B16.34
- 连接尺寸按ASME B16.5、ASME B16.25
- 检验和测试按API598

Design & Manufacture standard

- Design manufacture as per API602,BS5352, ASME B16.34
- Connection ends dimension as per ASME B16.5、ASME B16.25
- Inspection and test as per API598



ASME / ANSI Pressure Class 150, 300, 600 Lb

Size		Class (Lb)	L (mm)	L2 (mm)	H open (mm)		W (mm)		WT (kg)	
inch	mm				RB	FB	RB	FB	RB	FB
1/2	15	150	108	108	158	163	100	100	4.5	6.9
		300	152	152					4.8	7.7
		600	165	165					5.6	7.8
3/4	20	150	117	117	163	193	100	125	6.9	9.8
		300	178	178					7.7	11.3
		600	190	190					7.8	12.5
1	25	150	127	127	193	250	125	160	9.8	13.5
		300	203	203					11.1	16.8
		600	216	216					12.5	17.5
1 1/4	32	150	140	140	250	250	160	160	13.5	19.5
		300	216	216					16.8	21.2
		600	229	229					17.0	23.5
1 1/2	40	150	165	165	250	291	160	180	19.5	28.5
		300	229	229					21.2	32.6
		600	241	241					23.5	38.5
2	50	150	203	203	291	312	180	200	28.0	30.3
		300	267	267					32.6	35.0
		600	292	292					38.8	42.2

PRESSURE TEST

Class (Lb)	Back seat test (MPa)	Shell test (MPa)	High pressure seal test (MPa)	Low pressure seal test (MPa)
150	3.0	2.2	2.2	0.6
300	7.5	5.5	5.5	0.6
600	15.0	11.0	11.0	0.6
900	22.5	16.5	16.5	0.6
1500	37.5	27.5	27.5	0.6

MAIN VALVE PART MATERIAL

Part name	Carbon steel		Alloy steel			Stainless steel				
	Body	A216 WCB	A352 LCB	A217 WC6	A217 WC9	A217C5	A351 CF8	A351 CF8M	A351 CF3	A351 CF3M
Bonnet	A216 WCB	A352 LCB	A217 WC6	A217 WC9	A217C5	A351 CF8	A351 CF8M	A351 CF3	A351 CF3M	CD4MCU
Stem	A182 F6a	A182 F304	A182 F304	A182 F304	A182 F304	A182 F304	A182 F316	A182 F304L	A182 F316L	F51
Stud	A193 B7	A320 L7	A193 B16	A193 B16	A193 B8	A193 B8	A193 B8M	A193 B8	A193 B8M	A193 B8M
Nut	A194 2H	A194 4	A194 4	A194 4	A194 8	A194 8	A194 8M	A194 8	A194 8M	A194 8M
Back seat	A182 F6a j	A182 F304	A182 F304	A182 F304	A182 F304	A182 F304	A182 F316	A182 F304L	A182 F316L	F51
Packing bushing	A276 410	A276 304	A276 304	A276 304	A276 304	A276 304	A276 316	A276 304	A276 316	F51
Packing plate	A216 WCB	A352 LCB	A217 WC6	A217 WC9	A217C5	A351 CF8	A351 CF8M	A351 CF3	A351 CF3M	CD4MCU

NOTE

1. All of valve part materials comply with ASTM standard.
2. Above material is our normal one. If client has special requirement for it, we can choose material as per detailed site condition.

SHANGHAI ENINE PUMP & VALVE CO., LTD.

China-leading manufacturer of valves

www.enine.sh.cn

TEL: +86(021) 5291 4777 / 3203 0517

FAX: +86(021) 5290 0333

Factory : 318 Xiangle Road, No. Nanxiang Town Jiading Shanghai 201802,China

Sales Division : Zone E No.1957 Jiaotong Road, Shanghai 200065, China

E-mail: sales@enine.sh.cn